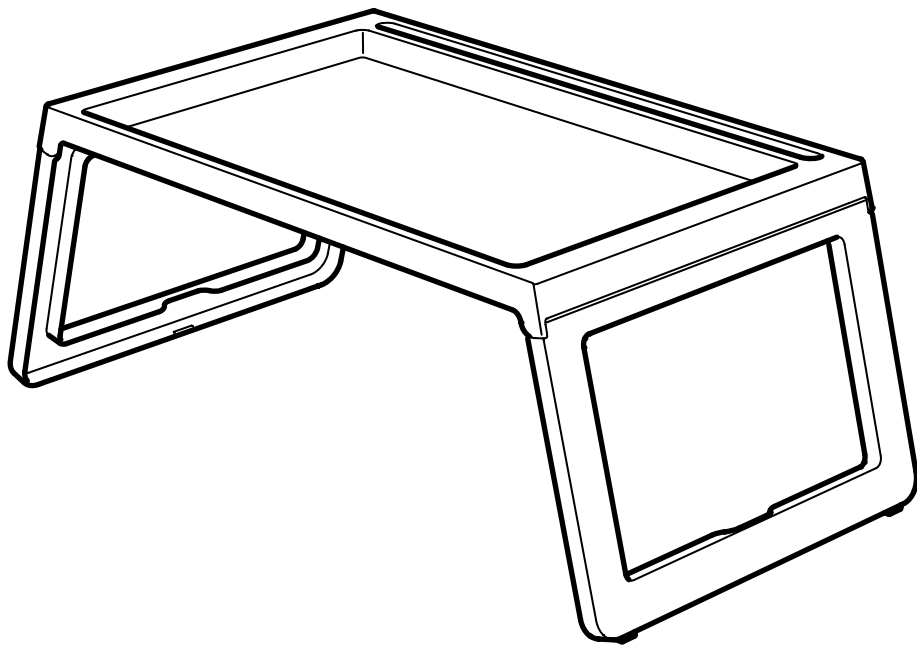
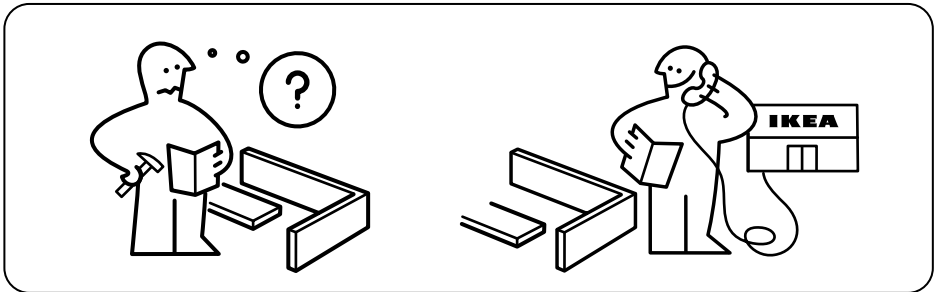
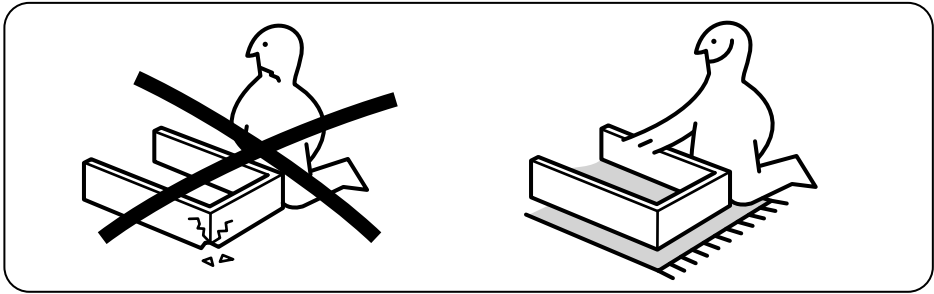


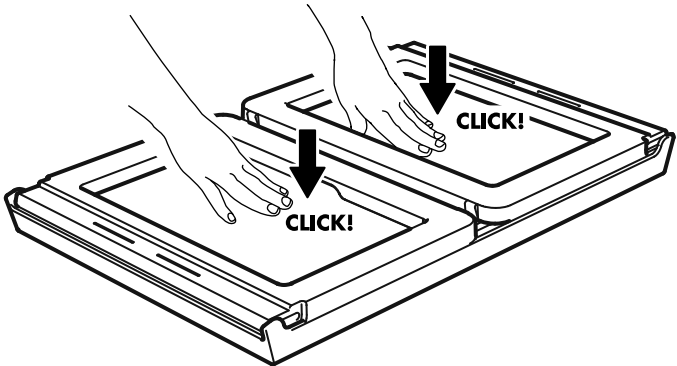
KLIPSK



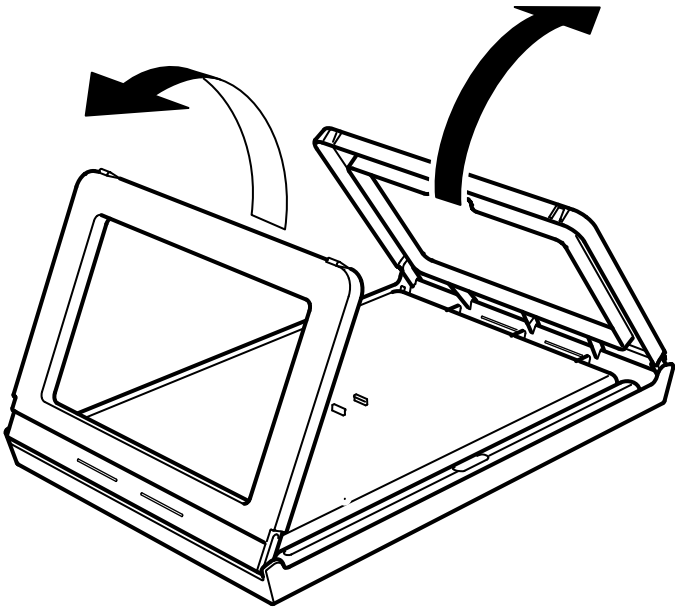
Design and Quality
IKEA of Sweden



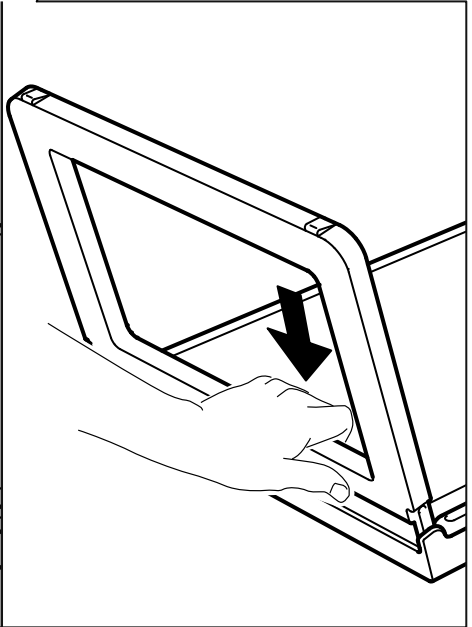
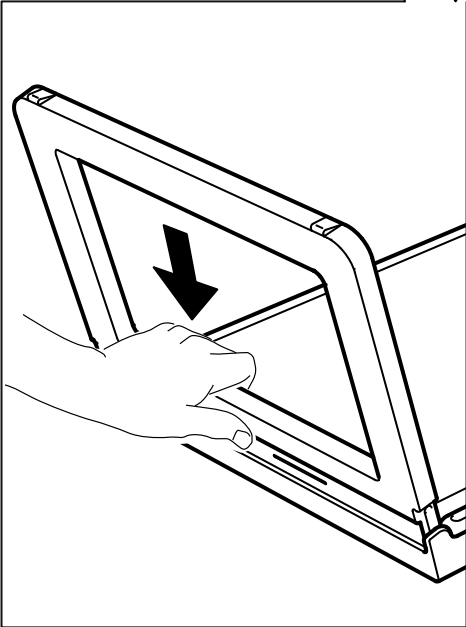
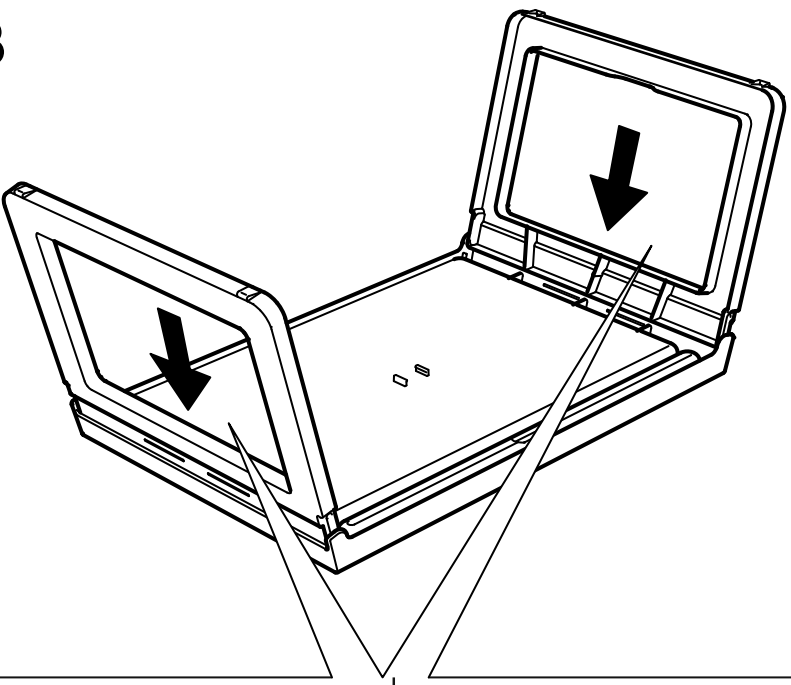
1



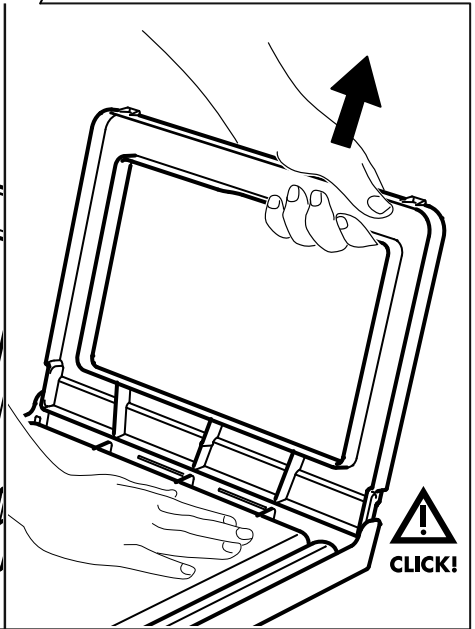
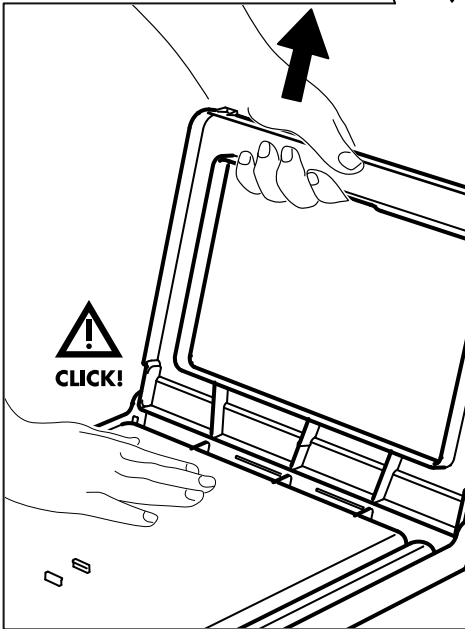
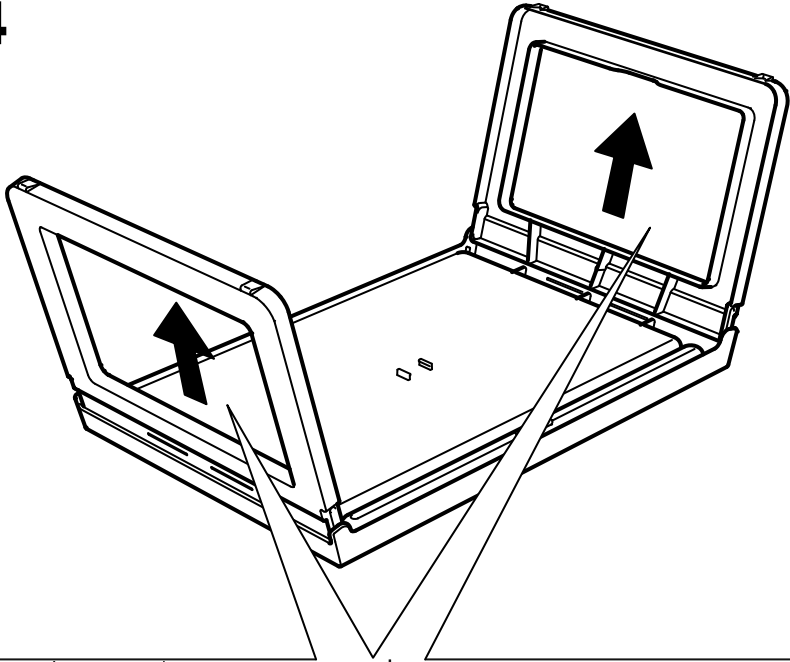
2



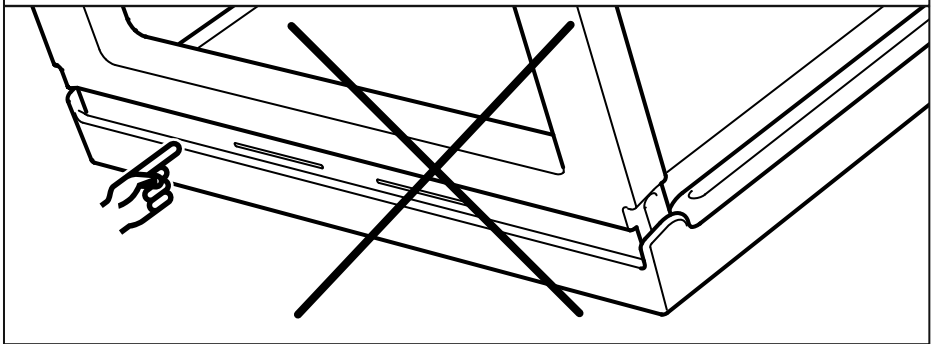
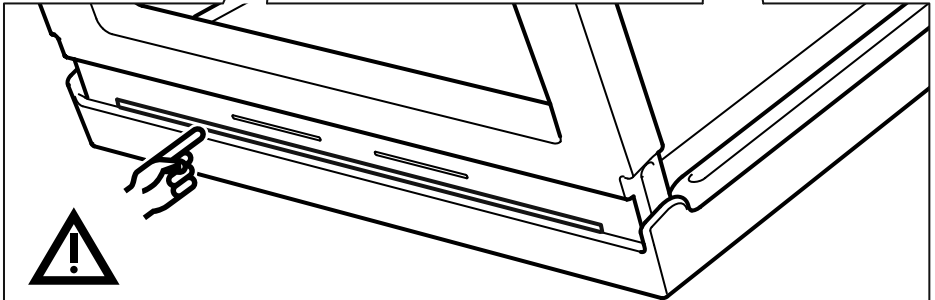
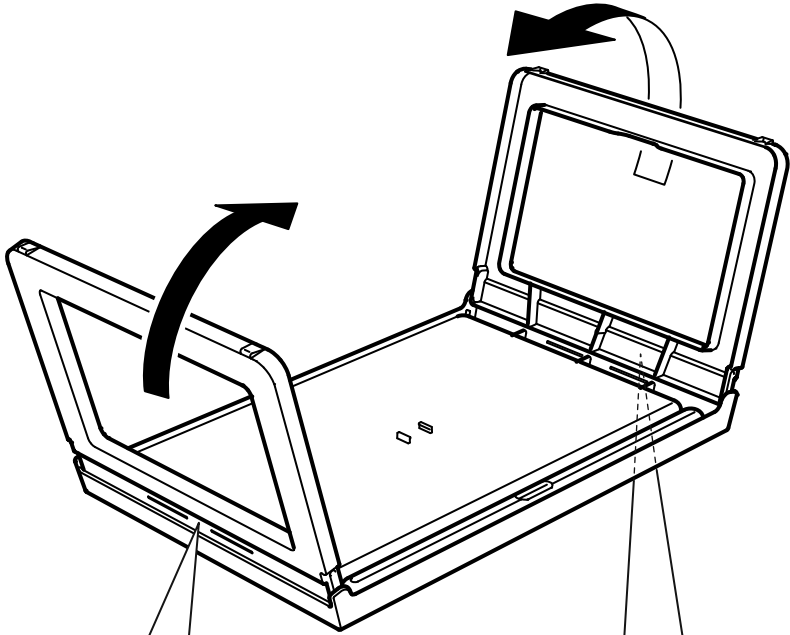
3



4



5



6

