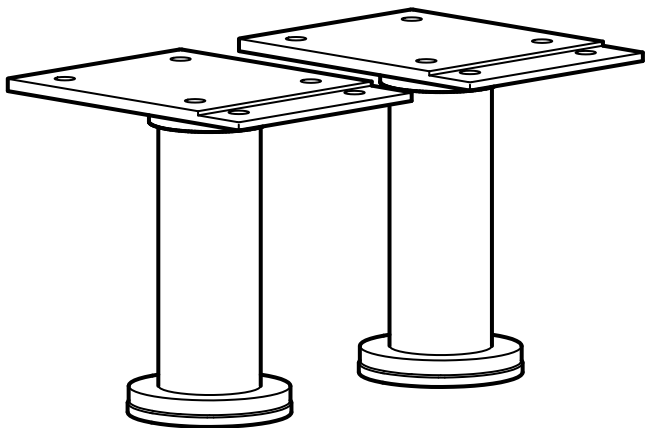
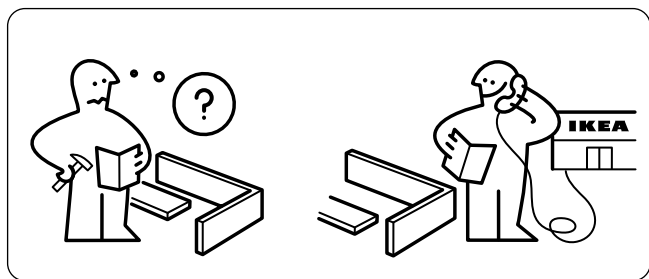
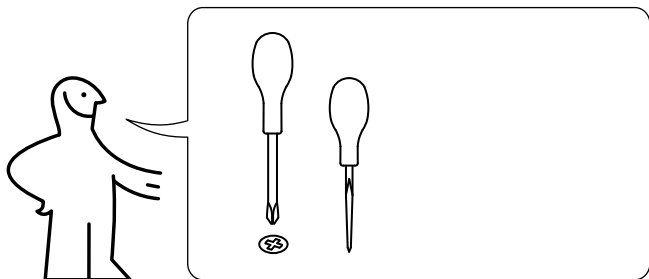


CAPITA



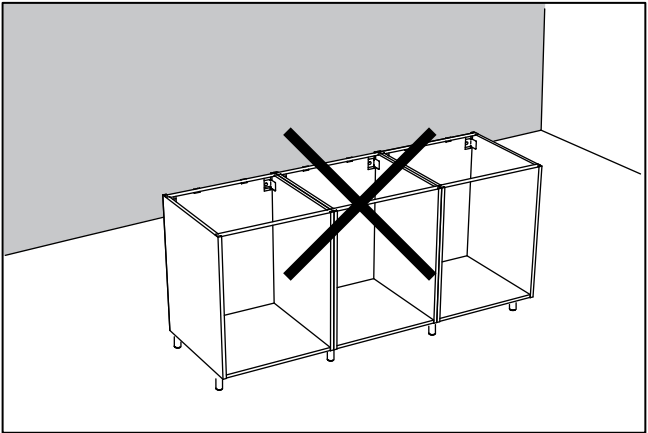
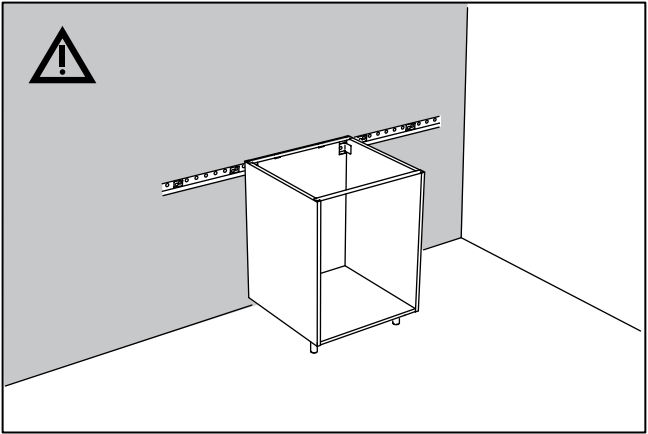
Design and Quality
IKEA of Sweden



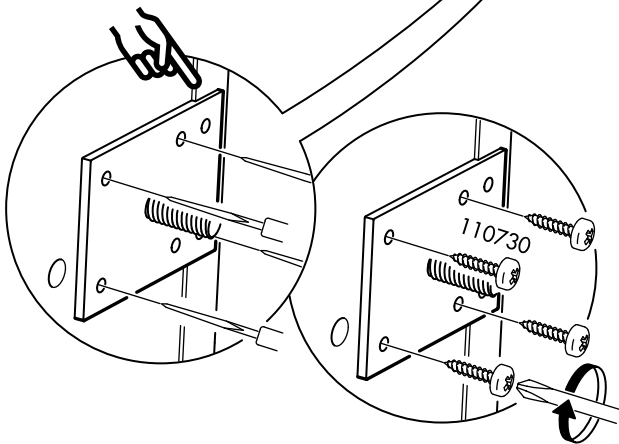
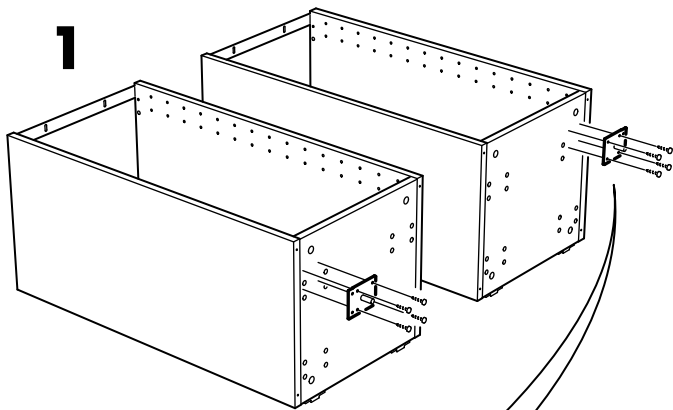
16x



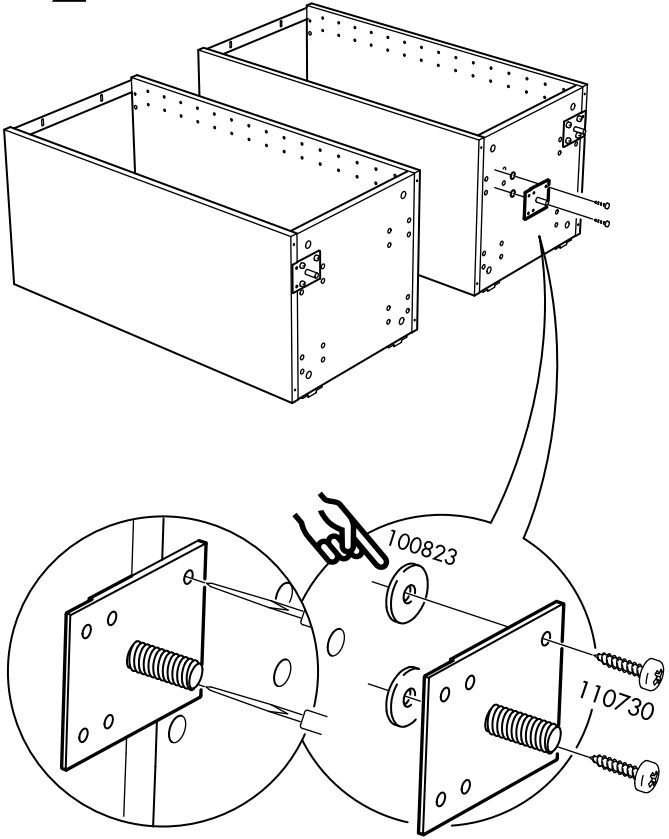
8x



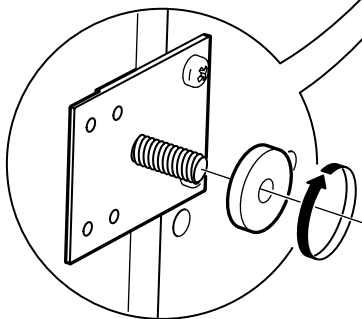
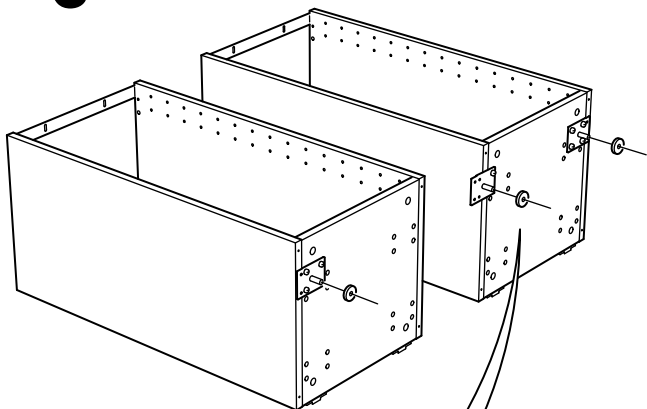
1



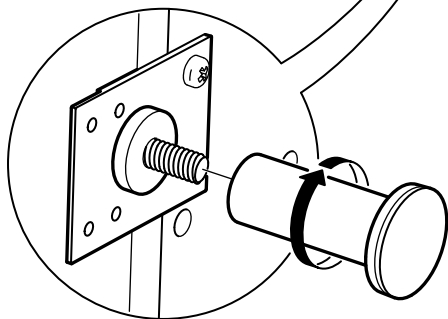
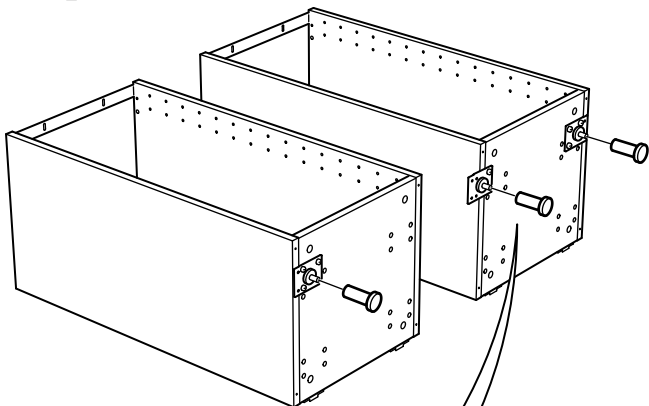
2



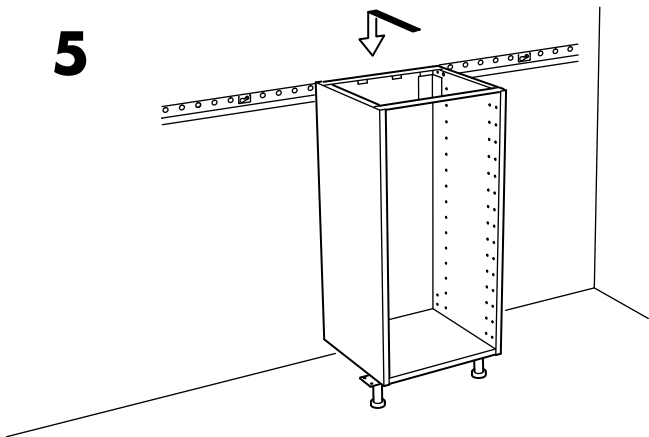
3



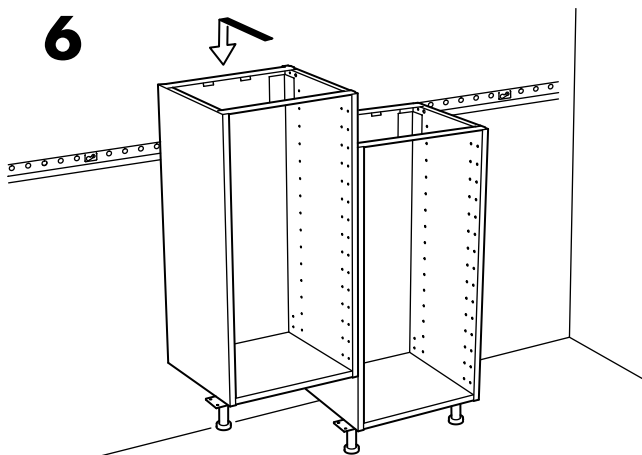
4



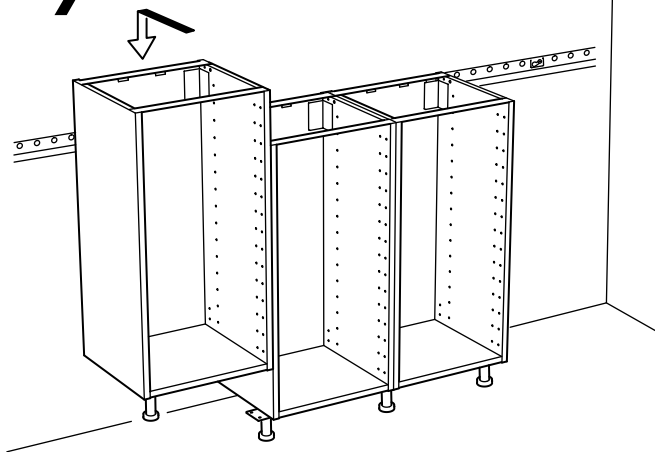
5



6



7



**METOD /
SEKTION**

