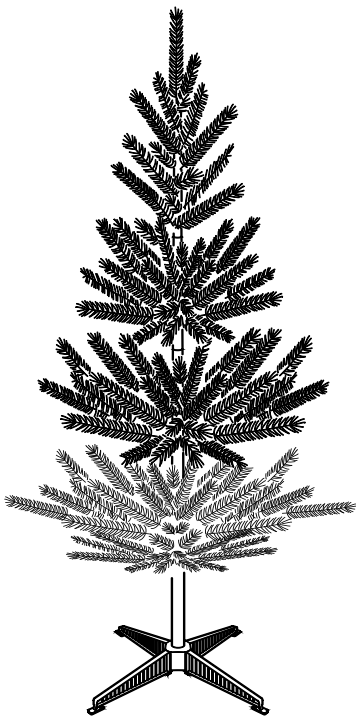
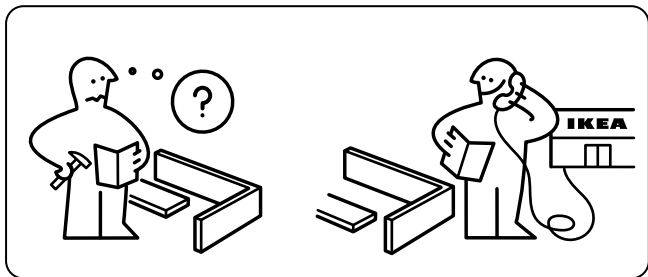


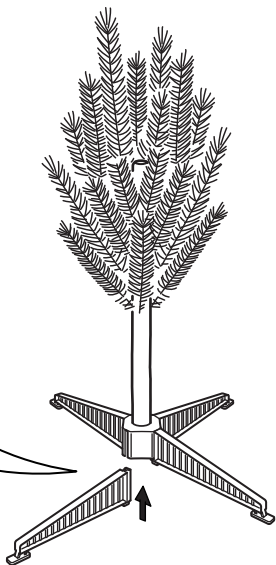
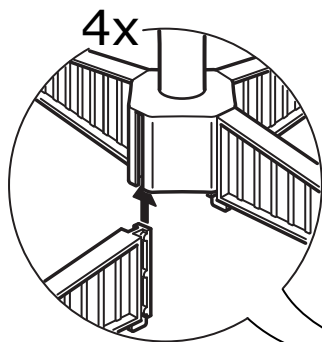
# VINTERFEST



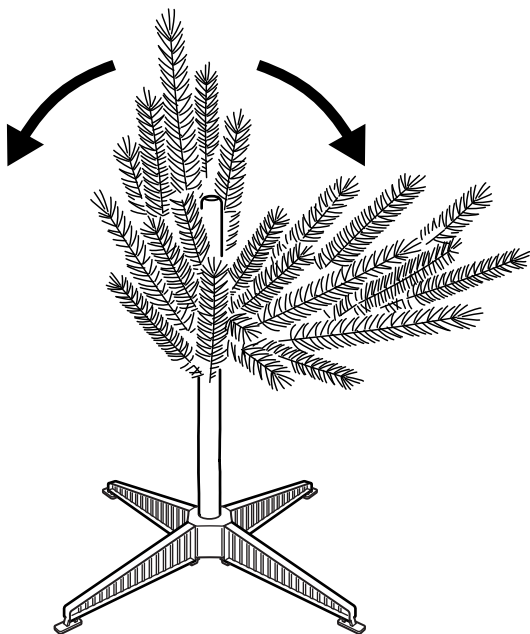
Design and Quality  
IKEA of Sweden



**1**



2



3

**3**

