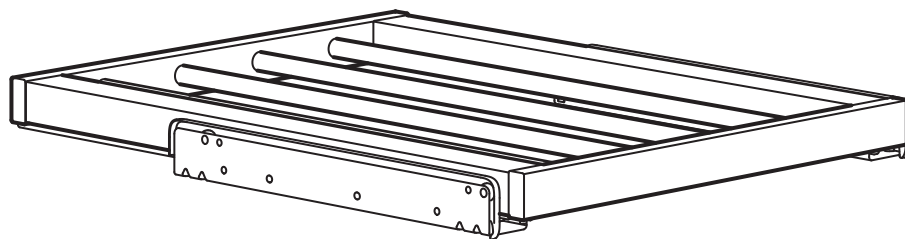
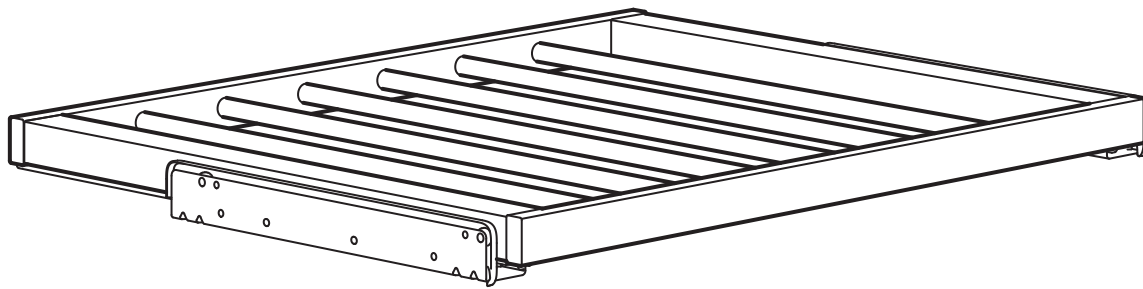
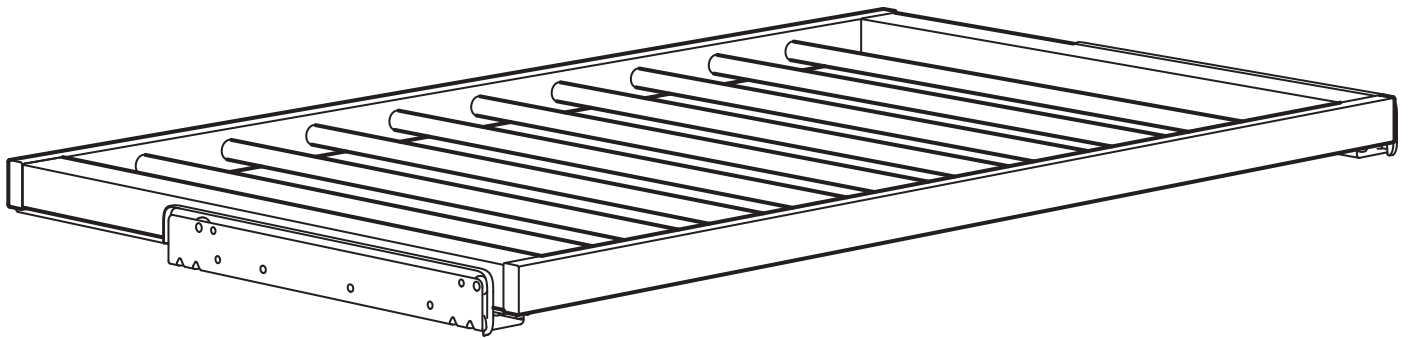
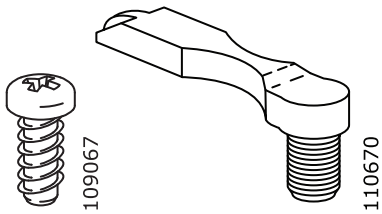
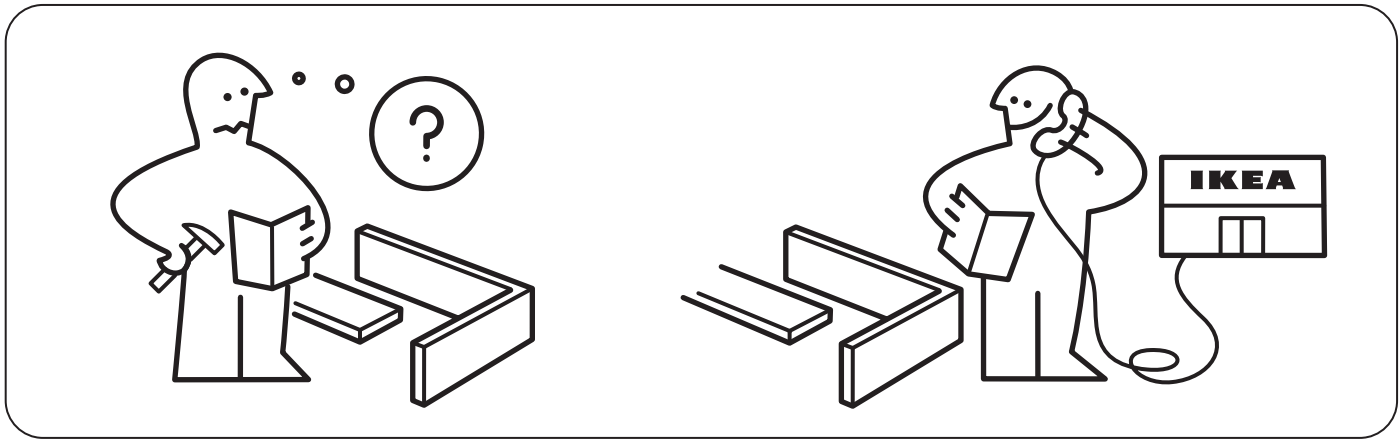
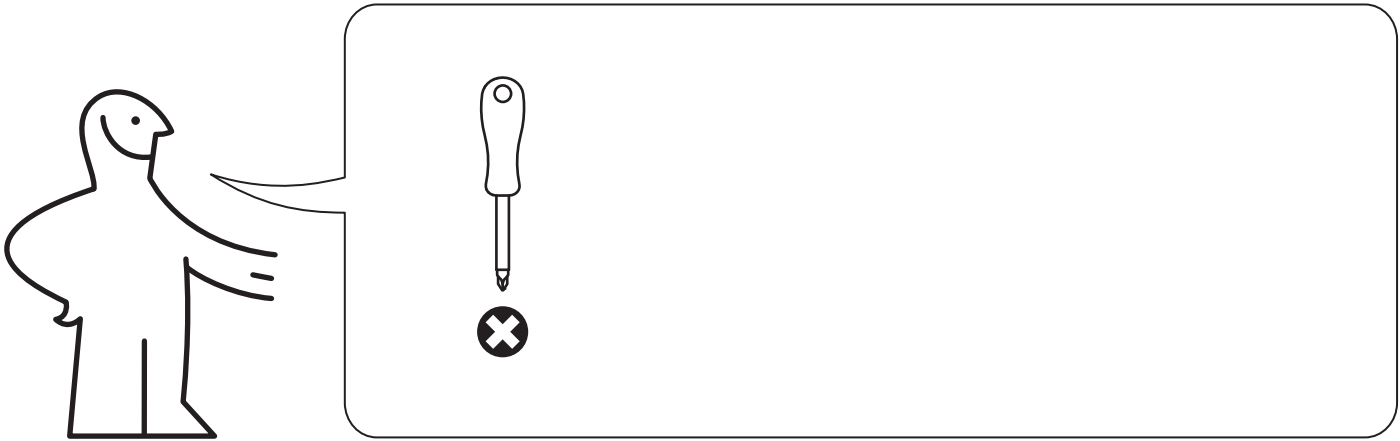


KOMPLEMENT

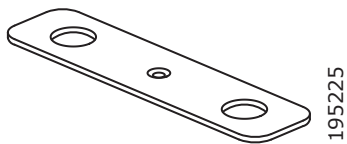


Design and Quality
IKEA of Sweden

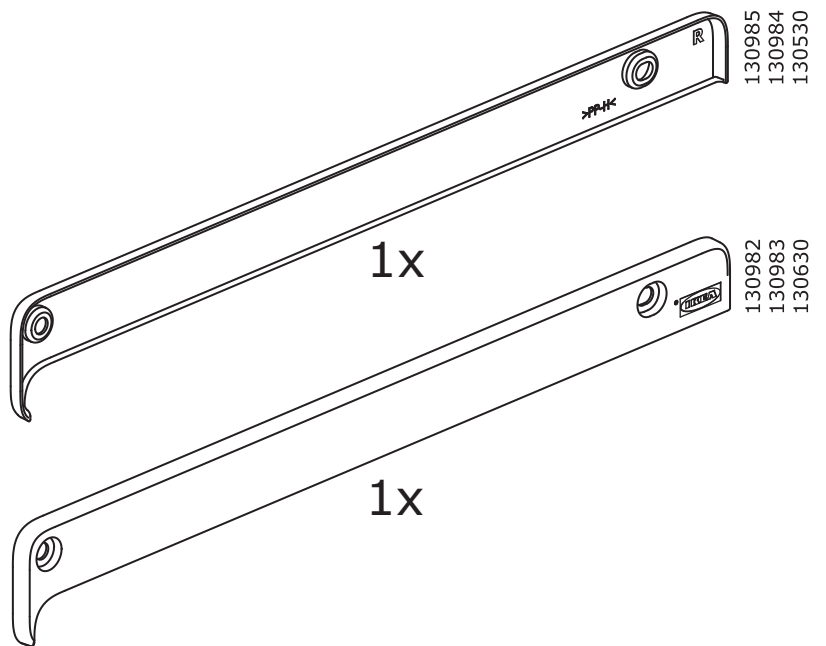


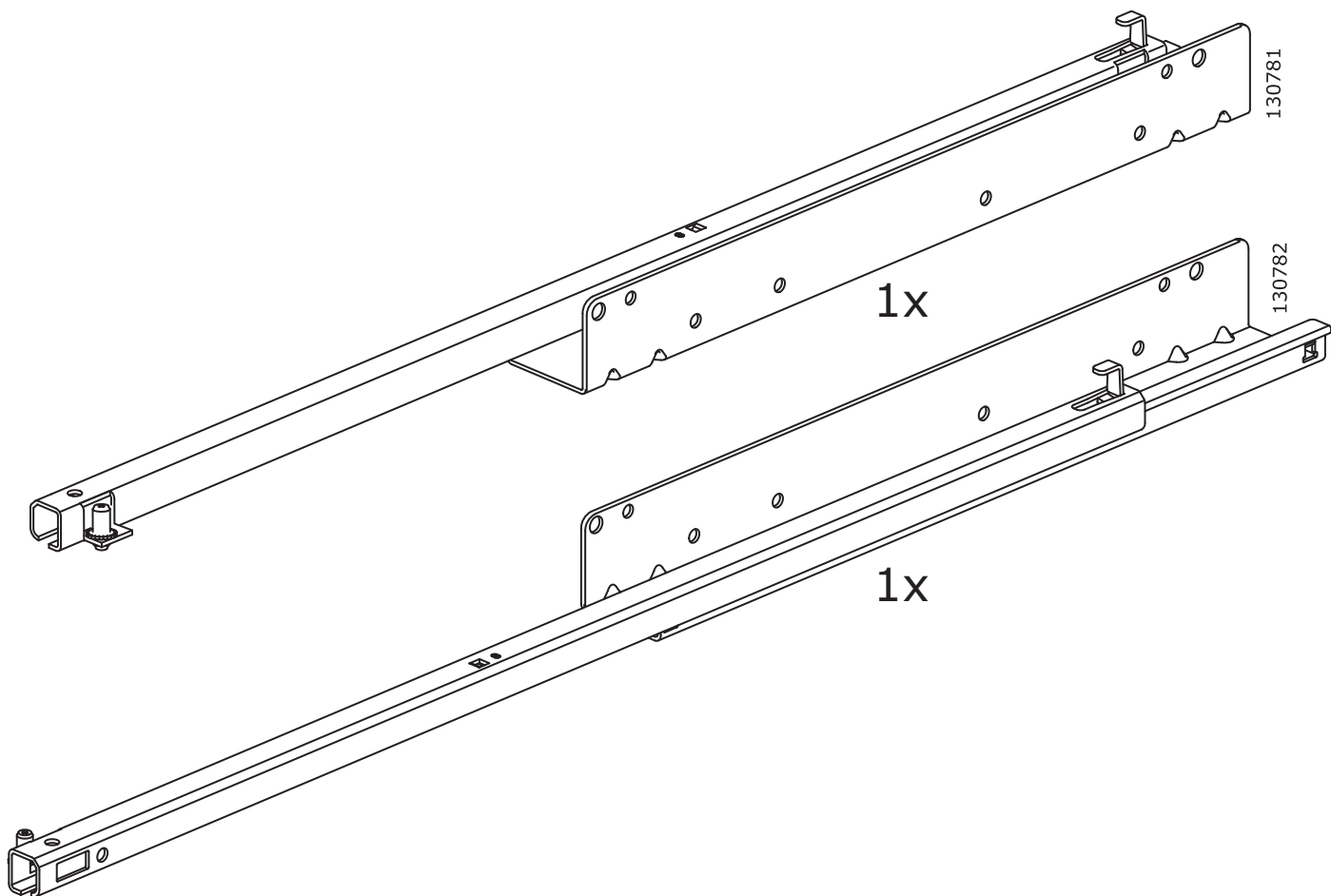
4x

2x

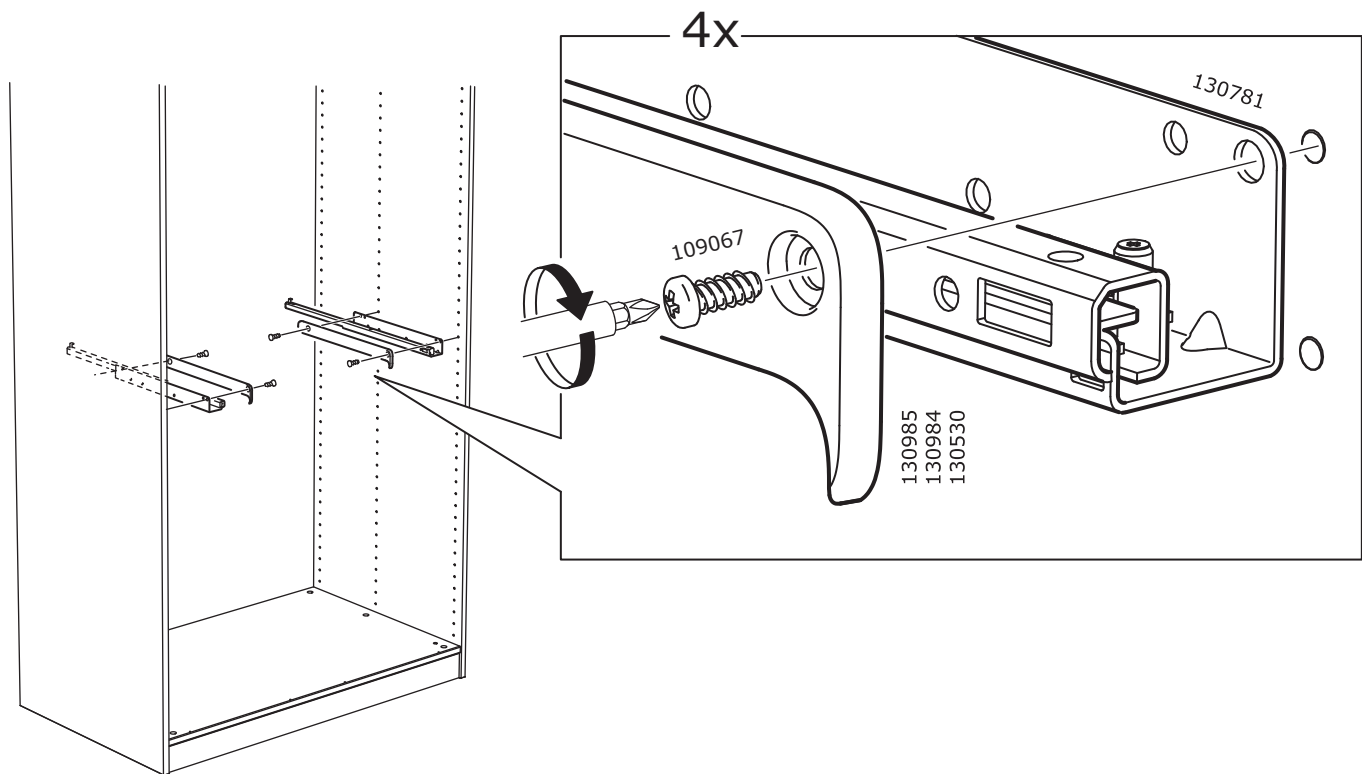


2x

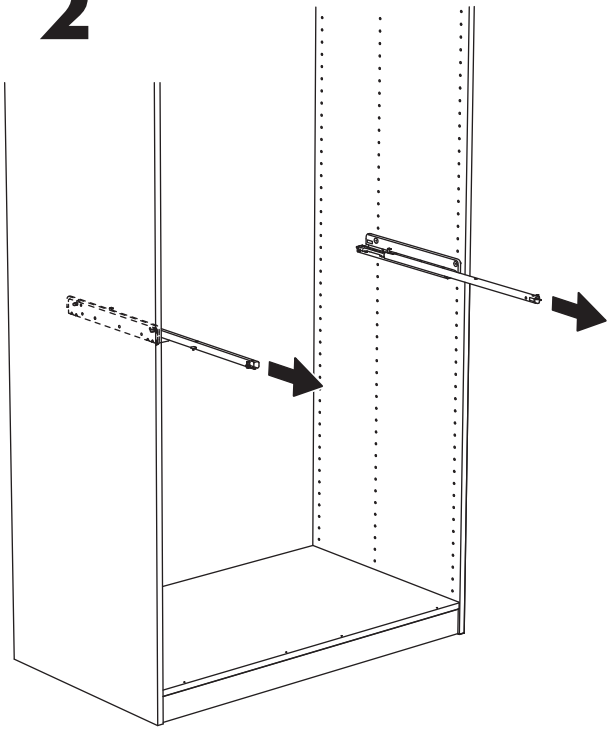




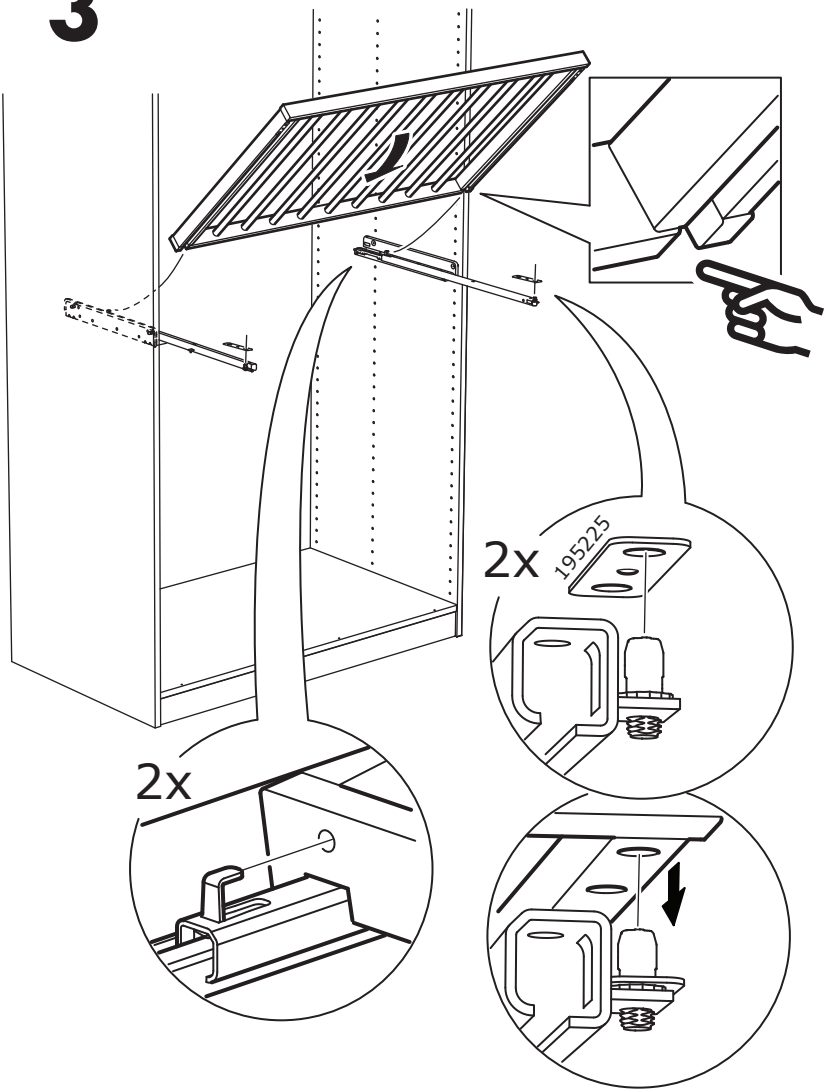
1



2



3



4

